

NOTCHKA

ARCHITECTURAL HARDWARE & INDUSTRIAL PRODUCT WHOLESALERS

www.notchka.com.au

HINGE CATALOGUE



NOTCHKA PTY LTD

tel 08 9443 3266

fax 08 9443 3250

email sales@notchka.com

45 Colray Avenue | PO Box 178
Osborne Park 6017 Western Australia

HINGE RANGE

HARDWARE ITEM	PAGE
Assorted screws for hinge installation	4
Backflap Hinges	11
Butt Hinges - Ball Tipped	6
Butt Hinges - Brass Assorted	7
Butt Hinges - Button Tipped Architectural	5-6
Butt Hinges - Combination	9
Butt Hinges - Concealed	9
Butt Hinges - Fast Fix Assorted	9
Butt Hinges - Heavy Duty	9
Butt Hinges - Light & Narrow	8
Cupboard Hinges	12
Gate Hinges	14
Lift-Off Hinges	12
Non-Mortice Hinges	10
Partition Hinges & Partition Sets	13
Piano Hinge	12
Security Screen Door Hinges	13
Shutter Hinges	11
Spring Hinge - [Justor Range]	18
Spring Hinge - Double Action [HRH Range]	16
Spring Hinge - Double Action [Justor Range]	18
Spring Hinge - Single Action Hold Closed [HRH Range]	16
Spring Hinge - Single Action Hold Open [Justor Range]	19
HRH Hinge Range Installation Information	17
Justor Spring Hinge Data Sheets - Assorted	20-36



Screws for Hinges: 25 ~ 32mm

PART NO	DESCRIPTION	FINISH	UNIT	BARCODE
SCR001PH-100	25mm x 8g Phillips	ZP	Bag 100	9319752561761
SCR001PZ-100	25mm x 8g Pozi	ZP	Bag 100	9319752561754
SCR001PH	25mm x 8g Phillips	ZP	Bag 200	
SCR001PZ	25mm x 8g Pozi	ZP	Bag 200	4715579510145
SCR002PH	25mm x 8g Phillips	EB	Bag 200	
SCR002PZ	25mm x 8g Pozi	EB	Bag 200	9319752002110
SCR003PH	25mm x 8g Phillips	FB	Bag 200	
SCR003PZ	25mm x 8g Pozi	FB	Bag 200	4715579520144
SCR006	25mm x 8g Phillips	SSS	Bag 200	9319752006118
SCR005	32mm x 10g Phillips	SSS	Bag 100	9319752005111



Architectural Butt Hinge - 2.5mm Button Tipped with Bearings

PART NO	DESCRIPTION	FINISH	UNIT	BARCODE
BTF/B100X75X2.5SS	100 x 75 x 2.5mm	SS	ea	9319752010825
BTF/B100X100X2.5SS	100 x 100 x 2.5mm	SS	ea	9319752100236



Architectural Butt Hinge - 3.2mm Button Tipped with Bearings

PART NO	DESCRIPTION	FINISH	UNIT	BARCODE
BTF/B100X75X3.2SS	100 x 75 x 3.2mm	SSS	9319752003179	
BTF/B100X100X3.2SS	100 x 100 x 3.2mm	SSS	ea	9319752003124



Architectural Butt Hinge - 2.5mm Button Tipped Fixed Pin

PART NO	DESCRIPTION	FINISH	UNIT	BARCODE
BTF100X75X2.5ZP	100 x 75 x 2.5mm	ZP	ea	9319752010764
BTF100X75X2.5SCP	100 x 75 x 2.5mm	SCP	ea	9319752010771
BTF100X75X2.5CP	100 x 75 x 2.5mm	CP	ea	9319752010788
BTF100X75X2.5SS	100 x 75 x 2.5mm	SS	ea	9319752010801
BTF100X100X2.5ZP	100 x 100 x 2.5mm	ZP	ea	9319752100113
BTF100X100X2.5SCP	100 x 100 x 2.5mm	SCP	ea	9319752100182
BTF100X100X2.5CP	100 x 100 x 2.5mm	CP	ea	9319752100199
BTF100X100X2.5SS	100 x 100 x 2.5mm	SS	ea	9319752100212



Architectural Butt Hinge - 2.5mm Button Tipped Loose Pin

PART NO	DESCRIPTION	FINISH	UNIT	BARCODE
BTL100X75X2.5ZP	100 x 75 x 2.5mm	ZP	ea	9319752010757
BTL100X75X2.5SCP	100 x 75 x 2.5mm	SCP	ea	9319752010733
BTL100X75X2.5CP	100 x 75 x 2.5mm	CP	ea	9319752010726
BTL100X75X2.5SS	100 x 75 x 2.5mm	SS	ea	9319752010702
BTL100X100X2.5ZP	100 x 100 x 2.5mm	ZP	ea	9319752100106
BTL100X100X2.5SCP	100 x 100 x 2.5mm	SCP	ea	9326423009934
BTL100X100X2.5CP	100 x 100 x 2.5mm	CP	ea	9319752100137
BTL100X100X2.5SS	100 x 100 x 2.5mm	SS	ea	9319752100151



Architectural Butt Hinge - 3.2mm Button Tipped Fixed Pin

PART NO	DESCRIPTION	FINISH	UNIT	BARCODE
BTF100X125X3.2	100 x 125 x 3.2mm	SSS	ea	9319752010124
BTF100X150X3.2	100 x 150 x 3.2mm	SSS	ea	9319752003131
BTF100X175X3.2	100 x 175 x 3.2mm	SSS	ea	9319752003148
BTF100X200X3.2	100 x 200 x 3.2mm	SSS	ea	9319752003155



Butt Hinge - 3mm Ball Tipped Loose Pin Polished Brass

PART NO	DESCRIPTION	FINISH	UNIT	BARCODE
60002	100 x 75 x 3mm	PB	ea	9319752600026
60003	100 x 100 x 3mm	PB	ea	9319752600033



Butt Hinge - Ball Tipped Loose Pin Brass

PART NO	DESCRIPTION	FINISH	UNIT	BARCODE
62002	100 x 75 x 3mm	SCP	ea	9319752620024
61003	100 x 100 x 4mm	CP	ea	9319752610032
62003	100 x 100 x 4mm	SCP	ea	9319752620031



Butt Hinge - 3mm Fixed Pin Polished Brass

PART NO	DESCRIPTION	FINISH	UNIT	BARCODE
50009	100 x 75 x 3mm	PB	ea	9319752500098



Butt Hinge - 4mm Fixed Pin Polished Brass

PART NO	DESCRIPTION	FINISH	UNIT	BARCODE
50010	100 x 100 x 4mm	PB	ea	9319752500104
50015	100 x 125 x 4mm	PB	ea	9319752500159
50016	100 x 150 x 4mm	PB	ea	9319752500166
50017	100 x 175 x 4mm	PB	ea	9319752500173
50018	100 x 200 x 4mm	PB	ea	9319752500180



Butt Hinge - Fixed Pin Extruded Brass

PART NO	DESCRIPTION	FINISH	UNIT	BARCODE
510x25	25 x 19mm	BRA	ea	9319752200974
510x38	38 x 22mm	BRA	ea	9319752201032
510x50	50 x 32mm	BRA	ea	9319752201094
510x63	63 x 35mm	BRA	ea	9319752201155
510x75	75 x 41mm	BRA	ea	9319752201216
510x89	89 x 51mm	BRA	ea	9319752201278
510x100	100 x 60mm	BRA	ea	9319752201339



Butt Hinge - Fixed Pin Brass Assorted

PART NO	DESCRIPTION	FINISH	UNIT	BARCODE
510x50CP	50 x 32mm	CP	ea	9319752201049
51009	100 x 75 x 3mm	CP	ea	9319752510098
51010	100 x 100 x 4mm	CP	ea	9319752510103
52010	100 x 100 x 4mm	SCP	ea	9319752520102



Butt Hinge Light & Narrow - 1.0 ~ 1.6mm Fixed Pin

PART NO	DESCRIPTION	FINISH	UNIT	BARCODE
LNF35ZP	35 X 30 X 1.0mm	ZP	ea	9319752043502
LNF50ZP	50 X 35 X 1.2mm	ZP	ea	9319752045001
LNF63ZP	63 X 40 X 1.6mm	ZP	ea	9319752046305
LNF70ZP	70 X 50 X 1.6mm	ZP	ea	9319752047104
LNF70FB	70 X 50 X 1.6mm	FB	ea	
LNF85ZP	85 X 60 X 1.6mm	ZP	ea	9319752048606
LNF85FB	85 X 60 X 1.6mm	FB	ea	9319752048613
LNF85EB	85 X 60 X 1.6mm	EB	ea	9319752048620
LNF100ZP	100 x 75 x 1.6mm	ZP	ea	9319752410106
LNF100FB	100 x 75 x 1.6mm	FB	ea	9319752410113
LNF100EB	100 x 75 x 1.6mm	EB	ea	9319752410120
507FX50	50 X 38 X 1.2mm	SSS	ea	9319752507509
507FX70	70 x 50 x 1.6mm	SSS	ea	9319752507707
507FX85	85 X 60 X 1.6mm	SSS	ea	9319752507851
507FX100	100 x 75 x 1.6mm	SSS	ea	9319752507004



Butt Hinge Light & Narrow - 1.6mm Loose Pin

PART NO	DESCRIPTION	FINISH	UNIT	BARCODE
LNL70ZP	70 X 50 X 1.6mm	ZP	ea	9319752047005
LNL85ZP	85 x 60 x 1.6mm	ZP	ea	9319752048507
LNL85EB	85 x 60 x 1.6mm	EB	ea	9319752048521
LNL100ZP	100 x 75 x 1.6mm	ZP	ea	9319752410007
LNL100FB	100 x 75 x 1.6mm	FB	ea	9319752410014
LNL100EB	100 x 75 x 1.6mm	EB	ea	9319752410021
507LX70	70 x 50 x 1.6mm	SSS	ea	9319752508704
507LX85	85 X 60 X 1.6mm	SSS	ea	9319752508858
507LX100	100 x 75 x 1.6mm	SSS	ea	9319752508001



Butt Hinge - Concealed Fixed: Aluminium to Aluminium

PART NO	DESCRIPTION	FINISH	UNIT	BARCODE
NH-1	102 x 84mm	CA	ea	9319752710107



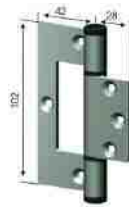
Butt Hinge - Heavy Duty: Timber to Timber

PART NO	DESCRIPTION	FINISH	UNIT	BARCODE
NH-2	102 x 84mm	CA	ea	9319752710114



Butt Hinge Fast Fix Shop Front: Aluminium to Aluminium

PART NO	DESCRIPTION	FINISH	UNIT	BARCODE
NH-3	102 x 42mm	CA	ea	9319752710121



Butt Hinge Fast Fix Partition: Aluminium to Timber

PART NO	DESCRIPTION	FINISH	UNIT	BARCODE
NH-9	102 x 42mm	CA	ea	9319752710145



Butt Hinge Fast Fix Wrap Around: Aluminium

PART NO	DESCRIPTION	FINISH	UNIT	BARCODE
ALH1104B	130 x 6mm	Black	ea	9319752563833
ALH1104CA	130 x 6mm	CA	ea	9319752563840
ALH1104MF	130 x 6mm	MF	ea	9319752563857
ALH1104W	130 x 6mm	White	ea	9319752563864



Butt Hinge Combination: Aluminium to Aluminium

PART NO	DESCRIPTION	FINISH	UNIT	BARCODE
NH-6	102 x 84mm	CA	ea	9319752710138



Non Mortice [Hirline] - 1.2~2.0mm

PART NO	DESCRIPTION	FINISH	UNIT	BARCODE
NM50ZP	50 X 35 X 1.2mm	ZP	ea	9319752005029
NM50EB	50 X 35 X 1.2mm	EB	ea	9319752005005
NM63ZP	63 x 37 x 1.4mm	ZP	ea	9319752006323
NM63EB	63 x 37 x 1.4mm	EB	ea	9319752006309
NM63FB	63 x 37 x 1.4mm	FB	ea	
NM75ZP	75 x 47 x 1.4mm	ZP	ea	9328879505879
NM75EB	75 x 47 x 1.4mm	EB	ea	9319752007504
NM89ZP	89 x 53 x 1.6mm	ZP	ea	9319752008921
NM89EB	89 x 53 x 1.6mm	EB	ea	9319752008907
NM89FB	89 x 53 x 1.6mm	FB	ea	9319752008914
NM100ZP	100 x 65 x 2.0mm	ZP	ea	9319752010023
NM100EB	100 x 65 x 2.0mm	EB	ea	9319752010009
NM100FB	100 x 65 x 2.0mm	FB	ea	9319752010016



Non Mortice - 1.5~2.0mm for Bi-Folding Doors & Windows

PART NO	DESCRIPTION	FINISH	UNIT	BARCODE
9H75SS	75 x 35 x 1.5mm	SSS	ea	9319752975551
9H89SS	89 x 53 x 1.5mm	SSS	ea	9319752989558
9H100SSS	100 x 62 x 2.0mm	SSS	ea	9319752910057



Non Mortice - Fixed Pin with Bearings: Architectural

PART NO	DESCRIPTION	FINISH	UNIT	BARCODE
NM100SS/B	100 x 70 x 2.5mm - R/H	SS	ea	9319752100250



Shutter Hinge - Fixed Pin Polished Brass

PART NO	DESCRIPTION	FINISH	UNIT	BARCODE
60011	100 x 100 x 4mm	PB	ea	9319752600118
60012	100 x 125 x 4mm	PB	ea	9319752600125
60013	100 x 150 x 4mm	PB	ea	9319752600132
60014	100 x 175 x 4mm	PB	ea	9319752600149
60015	100 x 200 x 4mm	PB	ea	9319752600156



Shutter Hinge - Fixed Pin Zinc Plate

PART NO	DESCRIPTION	FINISH	UNIT	BARCODE
PAR6100	100 x 130 x 2.5mm	ZP	ea	9319752610070



Back Flap Hinge - 2mm

PART NO	DESCRIPTION	FINISH	UNIT	BARCODE
BFH7732	32mm x 2mm	ZP	ea	9315381077321
BFH7738	38mm x 2mm	ZP	ea	9315381380001
BFH7750	50mm x 2mm	ZP	ea	9315381077505
BFH7765	65mm x 2mm	ZP	ea	9315381077659



Back Flap Hinge - 3.2mm

PART NO	DESCRIPTION	FINISH	UNIT	BARCODE
BFH7532	75mm x 3.2mm	ZP	ea	9315381075327



Lift Off Hinge - 1.6mm

PART NO	DESCRIPTION	FINISH	UNIT	BARCODE
69R	100 x 75 x 1.6mm - R/H	ZP	ea	9319752046909
69L	100 x 75 x 1.6mm - L/H	ZP	ea	9319752046916



Lift Off Hinge - 2.5mm

PART NO	DESCRIPTION	FINISH	UNIT	BARCODE
70R	100 x 75 x 2.5mm - R/H	SS	ea	9319752047715
70L	100 x 75 x 2.5mm - L/H	SS	ea	9319752047708



Piano Hinge - 25m

PART NO	DESCRIPTION	FINISH	UNIT	BARCODE
PH25EB	25m Piano Hinge	EB	Coil	9319752999250
PH25NP	25m Piano Hinge	NP	Coil	9319752997256
PH25SSS	25m Piano Hinge	SS	Coil	9319752998253



Piano Hinge - 600mm

PART NO	DESCRIPTION	FINISH	UNIT	BARCODE
015340	600mm Piano Hinge	EB	ea	9314453015346

Cupboard Hinges

PART NO	DESCRIPTION	FINISH	UNIT	BARCODE
802020	110 Degree Hinge	NP	ea	9314453802021
803020	170 Degree Hinge	NP	pair	9314453803028
80302	Cupboard Hinge	NP	ea	9314453803035

Security Screen Door Hinge - 1.6mm

PART NO	DESCRIPTION	FINISH	UNIT	BARCODE
7545B	75mm x 45mm x 1.6mm	Black	ea	9319752563772



Partition Hinges

PART NO	DESCRIPTION	FINISH	UNIT	BARCODE
585HHO	Bolt Fix Hinge - Hold Open	SCP	ea	9319752005852
585HHC	Bolt Fix Hinge - Hold Closed	SCP	ea	



Partition Hinge Sets for Toilets

PART NO	DESCRIPTION	FINISH	UNIT	BARCODE
585HOI	Toilet Partition Set with Indicator Bolt & Hat/Coat Hook - Hold Open	SCP	set	9319752203395
585HCI	Toilet Partition Set with Indicator Bolt & Hat/Coat Hook - Hold Close	SCP	set	9319752203388



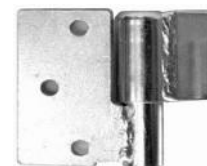
Gate Hinge - Long Strap Bearings

PART NO	DESCRIPTION	FINISH	UNIT	BARCODE
13001	Left Hand, 12" with screws	ZP	pair	9319752130011
13002	Right Hand, 12" with screws	ZP	pair	9319752130028



Gate Hinge - Weld on Bearings

PART NO	DESCRIPTION	FINISH	UNIT	BARCODE
13011	Left Hand	ZP	pair	9319752130110
13012	Right Hand	ZP	pair	9319752130127



Strap Hinge

PART NO	DESCRIPTION	FINISH	UNIT	BARCODE
SH7075	75mm	ZP	ea	9314453066164
SH7100	100mm	ZP	ea	9314453066263
SH7150	150mm	ZP	ea	9314453066362
SH7200	200mm	ZP	ea	9315381072005



Tee Hinge - Medium				
PART NO	DESCRIPTION	FINISH	UNIT	BARCODE
TH9075	75mm	ZP	ea	
TH9100	100mm	ZP	ea	9315381091013
TH9150	150mm	ZP	ea	9315381091518
TH9200	200mm	ZP	ea	9315381092010
TH9250	250mm	ZP	ea	9314453066461
TH9300	300mm	ZP	ea	9319752564779



Tee Hinge - Scotch, Galvanised with Brass Pin				
PART NO	DESCRIPTION	FINISH	UNIT	BARCODE
STH8150	150mm	HDG	ea	9314453065266
STH8200	200mm	HDG	ea	9314453065365
STH8250	250mm	HDG	ea	9319752815109
STH8300	300mm	HDG	ea	9314453065464
STH8350	350mm	HDG	ea	9314453065563



Double Action Spring Hinge - HFH Range

PART NO	DESCRIPTION	FINISH	UNIT	BARCODE
4150x75FB	75mm	FB	ea	9319752563505
4150x75CP	75mm	CP	ea	9313365510765
4150x75SCP	75mm	SCP	ea	9319752563529
4150x75PB	75mm	PB	ea	9319752563512
4150X100FB	100mm	FB	ea	9319752563437
4150X100CP	100mm	CP	ea	9319752563420
4150X100SCP	100mm	SCP	ea	9319752563451
4150X100PB	100mm	PB	ea	9319752563444
4150X150FB	150mm	FB	ea	9319752563475
4150X150CP	150mm	CP	ea	9319752563468
4150X150SCP	150mm	SCP	ea	9319752563499
4150X150PB	150mm	PB	ea	9319752563482



Single Action Spring Hinge Hold Closed - HFH Range

PART NO	DESCRIPTION	FINISH	UNIT	BARCODE
4160SCP HOLD CLO	100mm	SCP	ea	9313365516651
4160CP HOLD CLO	100mm	CP	ea	



HFH Double and Single Action Spring Hinges are only sold through agents Australia-wide and are not sold to end users and installers.

HFH Hinge Installation Guide

SPECIFICATIONS

Type	Hinge Size	Door Thickness	Recommended Max Door Weight*	Max Door Size mm
4150	75mm	up to 28mm	10kg	2040 x 620
4150	100mm	up to 35mm	20kg	2040 x 820
4150	150mm	up to 45mm	40kg	2340 x 870
4160	100mm	up to 35mm	35kg	2340 x 820

* Recommended maximum door weight using two hinges

TROUBLESHOOTING TIPS

1. Sometimes it is advisable to put three hinges on the door if there is a concern about the weight or excessive usage of the door. If that is the case, it is recommended that two hinges should be fitted closer to the top of the door and one in the normal bottom position. This seems to be a tried, tested and successful method of installation. However, remember that the load bearing as shown in the table below needs to be adhered to in order for the product to work as it should.
2. The hinges carry a warranty against product defects only. This does not include incorrect usage, tensioning or installation. It is highly recommended that the instructions are read in full before any installation is attempted. No consideration will be given concerning warranty if the hinges show any sign of incorrect usage, tensioning or installation.
3. The top hinge should always be placed higher than you would normally fit a standard butt hinge. Its fine to locate the bottom hinge where a butt hinge would generally sit.

Spring Hinge Aluminium- Justor Range

PART NO	DESCRIPTION	FINISH	UNIT	BARCODE
BI57S	180 x 80mm	Silver	ea	
BI57B	180 x 80mm	Bronze	ea	



Spring Hinge for Welding - Justor Range

PART NO	DESCRIPTION	FINISH	UNIT	BARCODE
BIPG120	120mm	GM	Pair	
BIPG180	180mm	GM	Pair	
BIPG240	235mm	GM	Pair	
BI551G	By special order only	GM	Pair	
BIPP	235mm	GM	ea	



Double Action Spring Hinges - Justor Range

PART NO	DESCRIPTION	FINISH	UNIT	BARCODE
BIDA120AS	120 x (40 x 53 x 40) x 4mm	Silver	ea	9319752555838
BIDA120SS	120 x (40 x 53 x 40) x 2.5mm	SS	ea	
BIDA180AS	180 x (40 x 53 x 40) x 4mm	Silver	ea	9319752555906
BIDA180SS	180 x (40 x 53 x 40) x 3mm	SS	ea	9319752555944
BIDA180AB	180 x (40 x 53 x 40) x ?mm	AB	ea	
BIDA180AA	180 x (40 x 53 x 40) x ?mm	Silver	ea	
BIDA180EAS	180 x (40 x 53 x 40) Narrow	Silver	ea	9319752555937



Double Action Spring Hinges Wall Mount - Justor Range

PART NO	DESCRIPTION	FINISH	UNIT	BARCODE
BIDA180W	180 x (35 x 37 x 35) x 4mm	Silver	ea	



Single Action Spring Hinges Hold Open - Justor Range

PART NO	DESCRIPTION	FINISH	UNIT	BARCODE
BISA120AS	120 x 80 x 4mm	Silver	ea	
BISA120SS	120 x 80 x 2.5mm	SS	ea	9319752555982
BISA180AS	180 x 80 x 4mm	Silver	ea	8422536003256
BISA180SS	180 x 80 x 3mm Grade 304	SS	ea	



Single Action Spring Hinge Lift Off - Justor Range

PART NO	DESCRIPTION	FINISH	UNIT	BARCODE
BIPM120L	120 x 80 x 4mm LEFT	Alum	ea	
BIPM120R	120 x 80 x 4mm RIGHT	Alum	ea	



Single Action Spring Hinge Quick Fix Interleaf - Justor Range

PART NO	DESCRIPTION	FINISH	UNIT	BARCODE
BIST150SS	153 x (31.3 x 46.5) x 2.5mm	SS	ea	



Justor Spring Hinges are a top quality range designed and manufactured in Spain for over 50 years. They carry a 2 Year Guarantee and have a spring resistance of up to 500,000 cycles. They are ideal for all commercial applications such as restaurants, pubs, shops and other commercial applications for doors constantly in use.

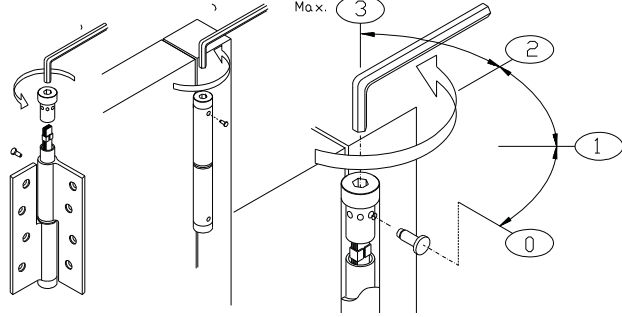
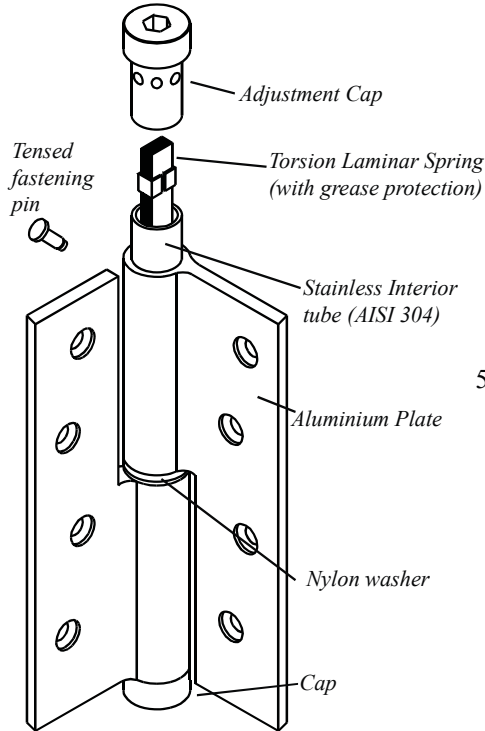
Full technical data for Justor spring hinges are on the following pages.

Spring Hinge PM120 - Technical Data

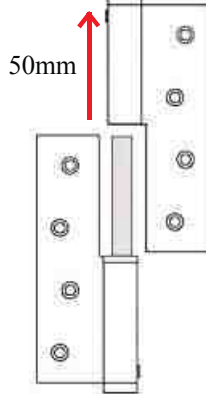
PM120 - Aluminium

PM120 Adjustment Instructions:

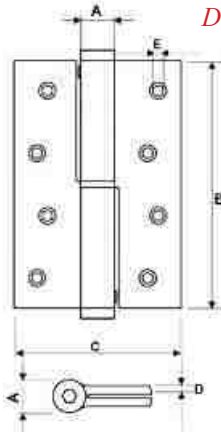
Anatomy of a Lift Off Spring Hinge:



Lift Off Gap:



Dimensional Information:



Model	PM120
A	Ø16
B	120
C	80
D	4
E	Ø5

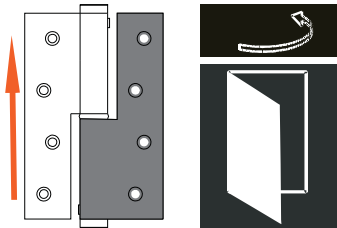
Measurements Table (in mm)

PM120 Range Quick Facts:

The PM120 is a tangible and cost effective solution for doors that need to automatically close, but also have the added safety function of a lift off hinge for mid to light weight doors upto 30kg.

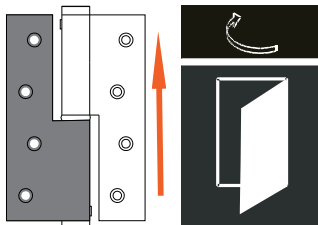
Incredibly versatile, without having to remove the door, the tension on the PM120 Lift Off Spring Hinge is totally adjustable and will not impact the door's ability to be lifted off from the jamb. The PM120 is made in Spain by Justor and comes with a 2-year guarantee. *The PM120, the Smaller smarter choice*

Australian Handing / Right



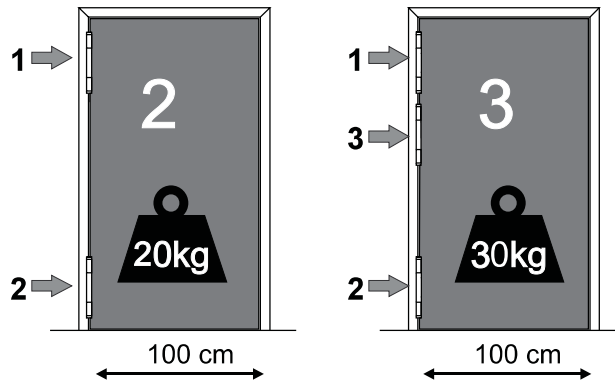
• BIPM120R - SAA Silver

Australian Handing / Left



• BIPM120L - SAA Silver

Number of Hinges Based on Door Weight



Based on a sliding scale, typical number of hinges per door start at 2 for all doors that are 100cm wide at or below 20 Kg. Doors around the same width but weigh from 20Kg up to 30Kg typically require 3 hinges. Note: 3rd hinge sits 5cm under the top hinge if 3 hinges are being used (see diagram above).

Spring Hinge PM120 - Functional Data Single Action Lift Off Spring Hinge PM120

The revolutionary designed and engineered PM120 spring loaded self closing lift off hinge for the commercial and residential markets by Justor of Spain is now here.

For the first time, we are now able to combine two important aspects of door functionality, the ability to [automatically close a door](#) and the [ability to lift the same door off its hinges](#) for safety reasons.

The PM120 has been designed to carry and automatically close doors that weigh up to 30Kg that require the functionality of traditional lift off hinges. Guaranteed for 2 years and stocked locally. The PM120 is made out of Aluminium and AISI 304 Stainless Steel components.

Once installed the PM120 has multiple adjustment points to bring the door back quickly or slowly with the added advantage of still being a lift off hinge. Ideally suited for toilet or partition doors, office and bedroom doors just to name a few. The PM120 is ideal for Residential Environments, Restaurants, Hospitals, Commercial Buildings, Apartments, Boats and general projects of all sizes.

Adjusting the closing speed of the door is easy and practical. The Justor PM120 has multiple tension settings for detailed control of door closure speed and adjustments can be made without having to take the door down and without impacting the ability to lift the door off the hinges.

Aesthetically pleasing to the eye, cost effective and highly functional, the PM120 is a real and cost effective solution for doors that require automatic closing and still retains the lift off functionality of traditional lift off hinges.

Made to exact European standards in Spain by Justor. The PM120 is a maintenance free solution, no periodic greasing or adjustments required.

The PM120 represents a smarter option when it comes to design and aesthetics.



PM120 Range Quick Facts:

- Automatically Closes Door
- Two Part Lift Off Hinge
- Resistant to extreme Climatic Conditions (Cold and Humidity)
- 50mm Lift Off Gap
- Maximum resistance to bending
- Up to 30Kg in Door Weight
- Torsion Spring not a Coil Spring
- Variable Closing Strength (speed)
- Highly Efficient 180° Working Aperture
- Solid and Stylish Design
- For Wood or Aluminium Doors
- Slim Profile vs. Bulky Door Closer
- Quick & Simple Installation
- No Periodical Greasing Required
- Detailed Instructions Included
- Available Finish: Silver
- Manufactured in Spain and comes with a 2 Year Manufacturer's Guarantee



Where PM120 can be used

- Residential Environments
- Apartment Buildings
- Hotels of All Sizes
- Commercial Environments
- Industrial Estates
- Hospitals
- Restaurants, etc...

Function

- WC Doors
- Partition Doors
- Dressing Room Doors
- Changing Rooms
- Office Doors

Commitment:

Justor by Bellevue, for over 10 years a joint commitment to providing unique, high quality, practical products to the Australian and New Zealand building market.

Order Codes:

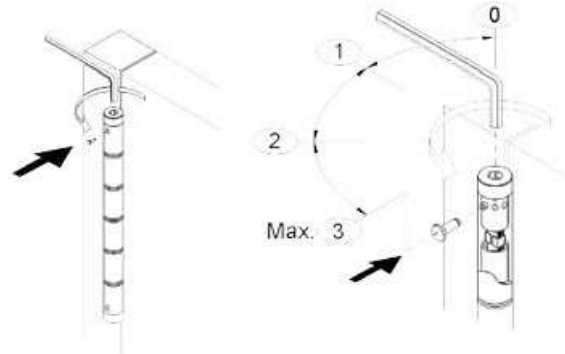
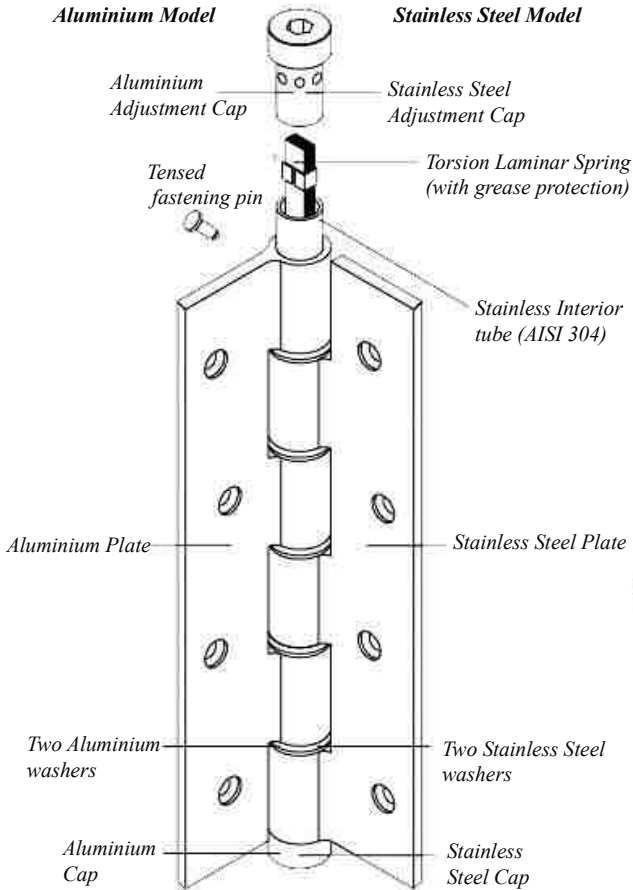
- BIPM120L - SAA Silver
- BIPM120R - SAA Silver
- Australian Handing System Used

Spring Hinge SA180 - Technical Data

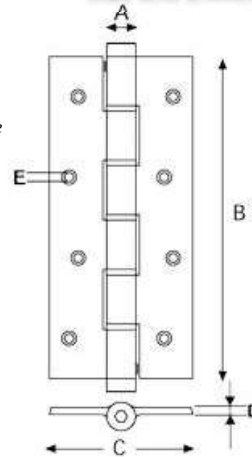
SA180 - Aluminium & SA180SS - 304 Stainless Steel

SA180 Adjustment Instructions:

Anatomy of a Single Action Spring Hinge:



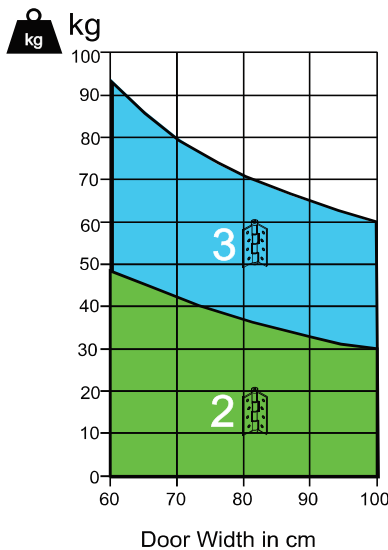
Size and Dimensions of the SA180 & SA180SS



Measurements Table (in mm)

Model	SA180	SA180SS
A	Ø16	Ø18
B	180	180
C	80	80
D	4	3
E	Ø5	Ø5

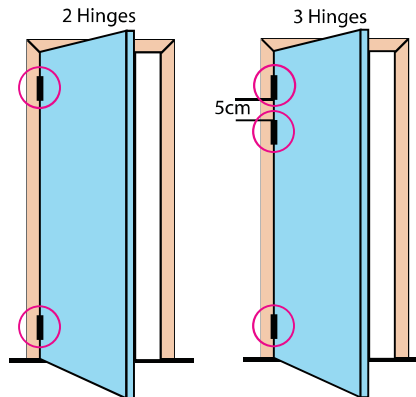
SA180 & SA180SS



SA180 Range Quick Facts:

The SA180 is designed to bring a normal open door that can weigh up to 92Kg back to a closed position without assistance and without the need for a traditional door closer. Aesthetically pleasing to the eye, highly cost effective and totally adjustable, it is an ideal alternative to traditional and unsightly door closer.

Table applicable for Spring Hinge SA180 both Stainless Steel and Aluminium type hinges.



Due to its smart construction, it is a small diameter hinge that does not require periodical greasing. It comes with a 2 year guarantee and is made in Spain by Justor.

The SA180 is the smart choice

Spring Hinge SA180 - Functional Data SA180 - Aluminium & SA180SS - 304 Stainless Steel

Now there is no longer a need for unsightly door closers, the SA180 (formerly the SA58) Single Action Spring Hinge is designed to automatically close a door with a subtle visual appearance. It is sleek, stylish and simple. Made in Spain by Justor the SA180 is highly functional and totally adjustable, ideal for all doors that weigh up to 92Kg.

Simplistically, the spring will act as a door closer and close the door once opened. Made out of Aluminium or AISI 304 Stainless Steel the SA180 Single Action Spring Hinge is ideal for internal or external applications. Once installed the SA180 spring hinge can be adjusted to bring the door back quickly or slowly.

The Justor SA180 has multiple tension settings for detailed control of door closure speed. Adjustments can be made without having to take the door down. Alternatively, by reversing the tension on the SA180, the spring can be set to assist in the opening of a door

Currently the SA180 spring hinge is being used on perimeter doors, pool doors, gates, front doors, large feature doors, office doors & WC doors, just to name a few. The SA180 has been installed in Restaurants, Hospitals, Commercial Buildings, Apartments, Boats, Residential Environments and general projects of all sizes throughout Australia and New Zealand

An added advantage of the SA180 is its appearance; aesthetically pleasing to the eye, it is sleek and has clean lines. Cost effective and highly functional, it is a real and effective alternative to traditional and unsightly door closers and closing solutions. It's guaranteed for 2 years and available in a range of finishes; the Justor SA180 is hard to overlook.

The SA180 has won international design awards, and is made to exacting European standards in Spain by Justor. The SA180 is a maintenance free solution, no periodic greasing or adjustments required. A smart design

The SA180 represents a smarter option when it comes to design and aesthetics.

SA180 & SA180SS Quick Facts:

- Automatically Closes Door
- Aluminium or Stainless Steel AISI 304
- Resistant to extreme Climatic Conditions (Cold and Humidity)
- Maximum resistance to bending
- Up to 92Kg in Door Weight
- Torsion Spring not a Coil Spring
- Variable Closing Strength (speed)
- Highly Efficient 180° Working Aperture
- For Wood or Aluminium Doors
- Slim Profile vs. Bulky Door Closer
- Quick & Simple Installation
- No Periodical Greasing Required
- Available Finish: Stainless Steel Silver, Bronze or Gold (by request)
- Manufactured in Spain and comes with a 2 Year Manufacturer's Guarantee

SA180 & SA180SS Profile:



Clean, simple lines. Non visual compared to a door closer or other bulky spring hinges



SA180 & SA180SS Quick Facts:

- Where SA180 is being used
 - Residential Environments
 - Apartment Buildings
 - Hotels of All Sizes
 - Commercial Environments
 - Industrial Estates
 - Hospitals
 - Restaurant Kitchens
- Function
 - Front Doors
 - WC Entry Doors
 - Doors Leading to Pools
 - Gates
 - Office Doors
 - Galleys on Boats
 - Perimeter Doors

Order Codes:

- BISA180AS - SAA Silver
- BISA180AB - SAA Bronze
- BISA180AG - SAA Gold
- BISA180SS - Stainless Steel

Note: Bronze & Gold Finishes by request only.

Please Note:

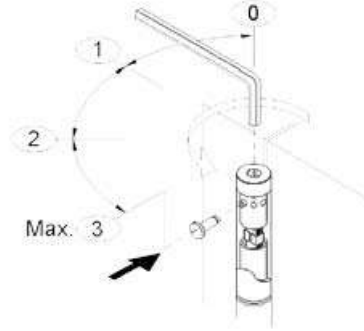
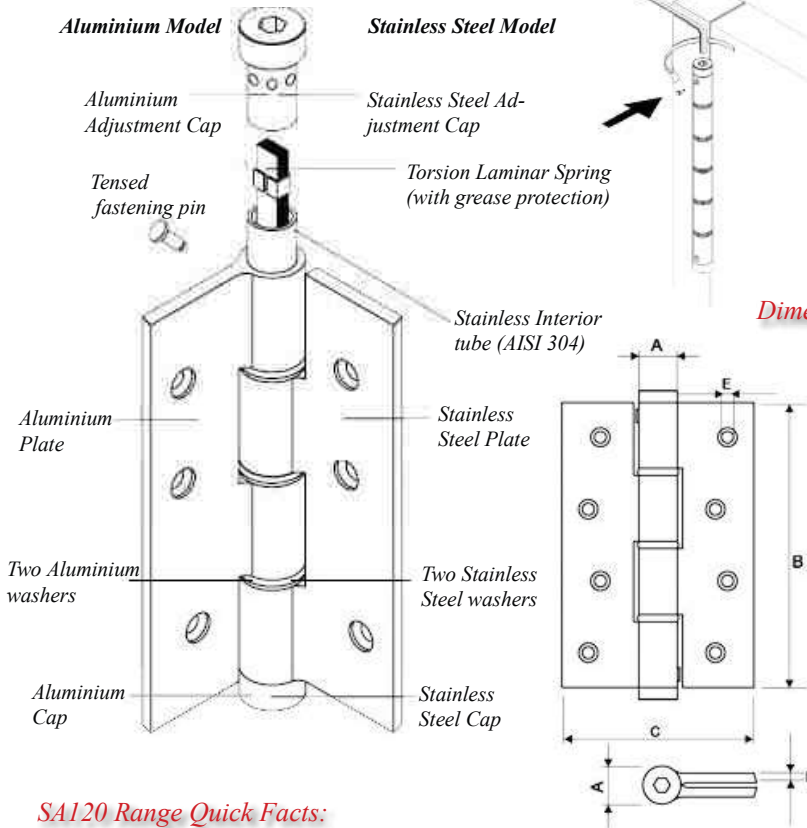
The SA58 has been re-named the SA180.

Spring Hinge SA120 - Technical Data

SA120 - Aluminium & SA120SS - 304 Stainless Steel

SA120SS Adjustment Instructions:

Anatomy of a Small Single Action Spring Hinge:



Dimensional Information:

Measurements Table (in mm)

Model	SA120	SA120SS
A	Ø16	Ø17
B	120	120
C	80	80
D	4	2.5
E	Ø5	Ø5

SA120 Range Quick Facts:

The SA120 is a tangible and cost effective alternative to traditional and unsightly door closers for mid to light weight doors of all sizes. Incredibly versatile, without having to remove the door, the tension on the SA120 spring hinge can be set in reverse, thus instead of automatically closing the door it will assist in its opening.

Due to its smart and unique construction, it is an ideal alternative to larger bulky door closers and with its small foot print, it is practically invisible in comparison. The SA120 comes with a 2 year guarantee and is made in Spain by Justor. The SA120 can carry up to 55Kg in door weight and is totally adjustable. *The SA120, the Smaller smarter choice*

SA120 & SA120SS

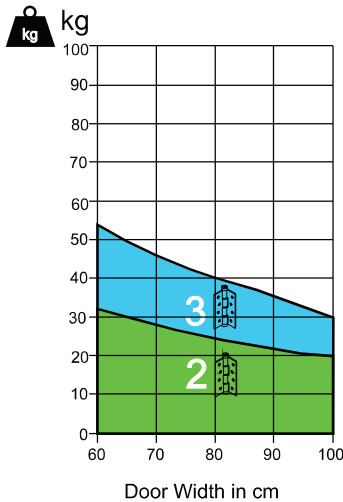
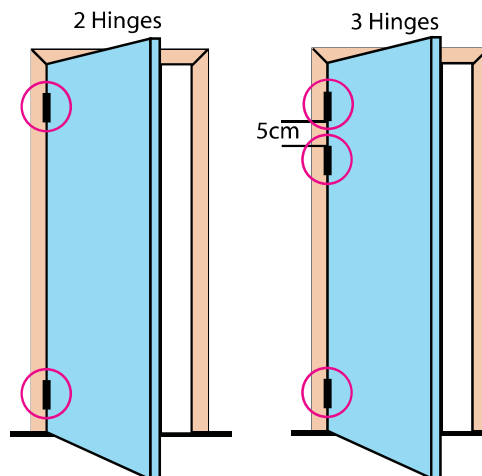


Table applicable for Spring Hinge SA120 both Stainless Steel and Aluminium type hinges.



Order Codes:

- BISA120AS - SAA Silver
- BISA120AB - SAA Bronze
- BISA120SS - Stainless Steel

Note: Bronze & Gold Finishes by request only.

Spring Hinge SA120 - Functional Data SA120 - Aluminium & SA120SS - 304 Stainless Steel

Now there is an inventive and cost effective automatic door closing solution for small or light weight doors. The new SA120 Small Single Action Spring Hinge is an extension of the enormously popular larger SA180 (formally the SA58). The new SA120 is the same in all respects to the SA180, but smaller. It's been designed to provide the same functionality as the SA180 but on smaller, lighter weight doors.

The SA120 has been designed to carry doors that weigh up to 55Kg and is ideal for internal or external applications; wherever a door needs to return to a closed position without assistance. The SA120 Single Action Spring Hinge is designed to automatically close a door with a subtle visual appearance. It is sleek, stylish and simple. Made in Spain by Justor the SA120 is highly functional and totally adjustable.

Simplistically, the spring will act as a door closer and close the door once opened. Made out of Aluminium or AISI 304 Stainless Steel the SA120 Single Action Spring Hinge is ideal for internal or external applications. Once installed the SA120 spring hinge can be adjusted to bring the door back quickly or slowly.

The Justor SA120 has multiple tension settings for detailed control of door closure speed and adjustments can be made without having to take the door down. Alternatively, by reversing the tension on the SA120, the spring can be set to assist in the opening of a door.

The SA120 spring hinge can be used on perimeter doors, pool doors, gates, front doors, large feature doors, office doors & WC doors, just to name a few. The SA120 is ideal for Restaurants, Hospitals, Commercial Buildings, Apartments, Boats and Residential houses and general projects of all sizes.

An added advantage of the SA120 is its appearance; aesthetically pleasing to the eye, it is sleek and has clean lines. Cost effective and highly functional, it is a real and effective alternative to traditional and unsightly door closers and other closing solutions. It's guaranteed for 2 years and available in a range of finishes; the Justor SA120 is hard to overlook. Made to exacting European standards in Spain by Justor. The SA120 is a maintenance free solution, no periodic greasing or adjustments required.

The SA120 represents a smarter option when it comes to design and aesthetics.



SA120 Range Quick Facts:

- Automatically Closes Door
- Aluminium or Stainless Steel AISI 304
- Resistant to extreme Climatic Conditions (Cold and Humidity)
- Maximum resistance to bending
- Up to 55Kg in Door Weight
- Torsion Spring not a Coil Spring
- Variable Closing Strength (speed)
- Highly Efficient 180° Working Aperture
- Solid and Stylish Design
- For Wood or Aluminium Doors
- Slim Profile vs. Bulky Door Closer
- Quick & Simple Installation
- No Periodical Greasing Required
- Detailed Instructions Included
- Available Finish: Silver, Bronze, or Stainless Steel
- Manufactured in Spain and comes with a 2 Year Manufacturer's Guarantee

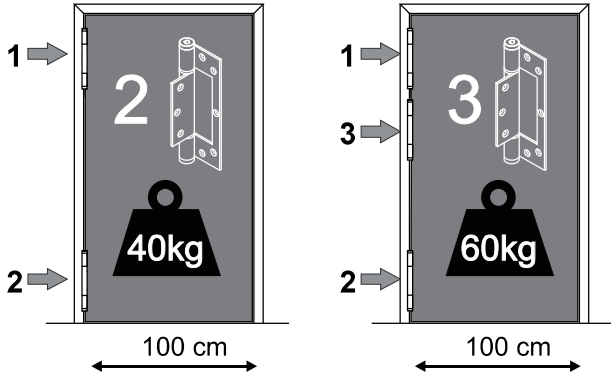


SA120 Range Quick Facts:

- Where SA120 can be used
 - Residential Environments
 - Apartment Buildings
 - Hotels of All Sizes
 - Commercial Environments
 - Industrial Estates
 - Hospitals
 - Restaurant Kitchens
- Function
 - Front Doors
 - WC Entry Doors
 - Doors Leading to Pools
 - Gates
 - Office Doors
 - Perimeter Doors

Spring Hinge ST150 - Technical Data ST150 - 304 Stainless Steel

Number of hinges required per door



Based on a sliding scale, typical number of hinges per door start at 2 for all doors that are 100cm wide at or below 40 Kg. Doors around the same width but weigh from 40Kg up to 60Kg typically require 3 hinges. Note: 3rd hinge sits 5cm under the top hinge if 3 hinges are being used (see diagram above)

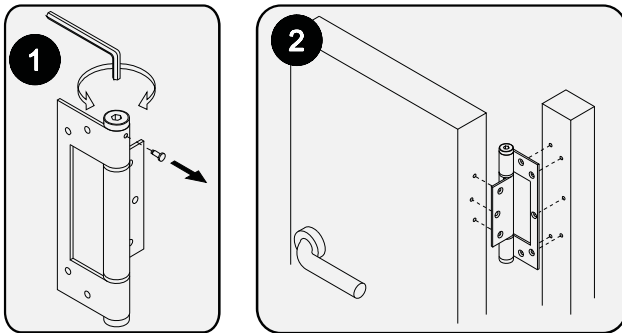
Ideal as an alternative to a traditional door closer for commercial and domestic aluminium framed swing door.

Commitment:

Justor by Bellevue, for over 10 years a joint commitment to providing unique, high quality, practical products to the Australian and New Zealand building market.

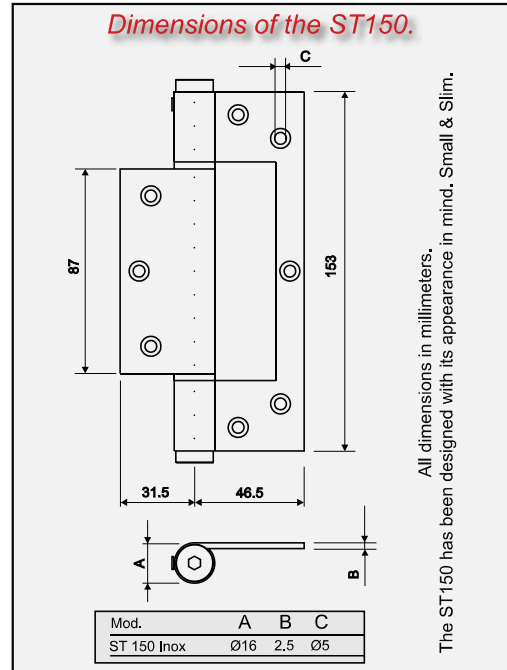
Installation of the ST150.

Designed for self-latching doors that fit the following profile: aluminium framed doors and jambs, steel jambs, doors where there is little clearance between the door and the jamb.



Easy 2 step installation process. Step 1, insert allen key into head and turn to set tension reinsert pin. Step 2, screw or rivet hinge to door and door jamb. Easy. You're done.

Dimensions of the ST150.

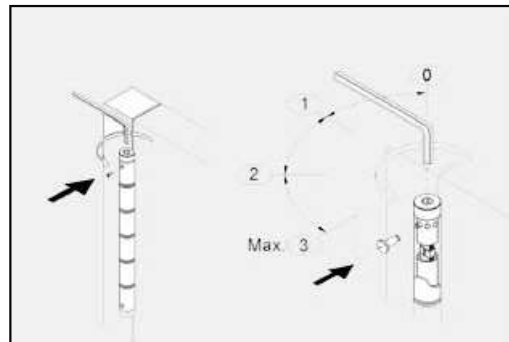


All dimensions in millimeters. The ST150 has been designed with its appearance in mind. Small & Slim.

Handing:

The ST150 is a non handed hinge, allowing for a non complicated 2 step installation process. Just turn the hinge upsidedown for opposite handing.

Adjustment of the ST150.



Multiple adjustment points for increasing or decreasing the spring's tension. Simple function, pull pin, turn head with allen key and replace pin. No need to remove door

Spring Hinge ST150 - Functional Data Quick Fix Interleaf Spring Hinge - 304 Stainless Steel

Automatically closing an Aluminium framed door is now so much easier.

Now there is no longer a need for unsightly door closers for aluminium framed self-latching doors or doors with steel jambs, the ST150 Single Action Quick Fix Spring Hinge is designed to automatically close doors with a subtle visual appearance. Its sleek, stylish and simple design makes it ideal for all environments. Made in Spain by Justor, the ST150 is highly functional and totally adjustable, ideal for all doors that weigh up to 60Kg.

The Justor ST150 has been specifically designed as a quick fix hinge for aluminium framed self-latching doors including doors with steel or aluminium jambs. Also practical for doors where there is very little gap between the door and the jamb as the hinge is only 2.5mm thick.

Simplistically, the spring acts as a door closer would, by bringing the door back to the closed position once opened. Made out of AISI 304 Stainless Steel the ST150 Single Action Spring Hinge is ideal for internal or external applications in any environment. Once installed the ST150 spring hinge can be adjusted to bring the door back quickly or slowly.

The Justor ST150 has multiple tension settings for detailed control of door closure speed and adjustments can be made without having to take the door down, alternatively, by reversing the tension on the ST150, the spring can be set to assist in the opening of the door.

An added advantage of the ST150 is its appearance; aesthetically pleasing to the eye, it is sleek with clean lines. Cost effective and highly functional, it is a real and effective alternative to traditional and unsightly door closers and other closing solutions. It's guaranteed for 2 years and is stocked locally in large quantities by Bellevue in Melbourne; the Justor ST150 is hard to overlook.

ST150 Quick Facts:

- Automatically Closes Door
- Stainless Steel AISI 304
- Resistant to extreme Climatic Conditions (Cold and Humidity)
- Maximum resistance to bending
- Up to 60Kg in Door Weight
- Torsion Spring not a Coil Spring
- Variable Closing Strength (speed)
- Highly Efficient 180° Working Aperture
- Solid and Stylish Design
- For Wood or Aluminium Doors
- Slim Profile vs. Bulky Door Closer
- Quick & Simple Installation
- No Periodic Greasing Required
- Manufactured in Spain and comes with a 2 Year Manufacturer's Guarantee

Order Codes:

- BIST150 - Stainless Steel



New Model

ST150 Quick Facts:

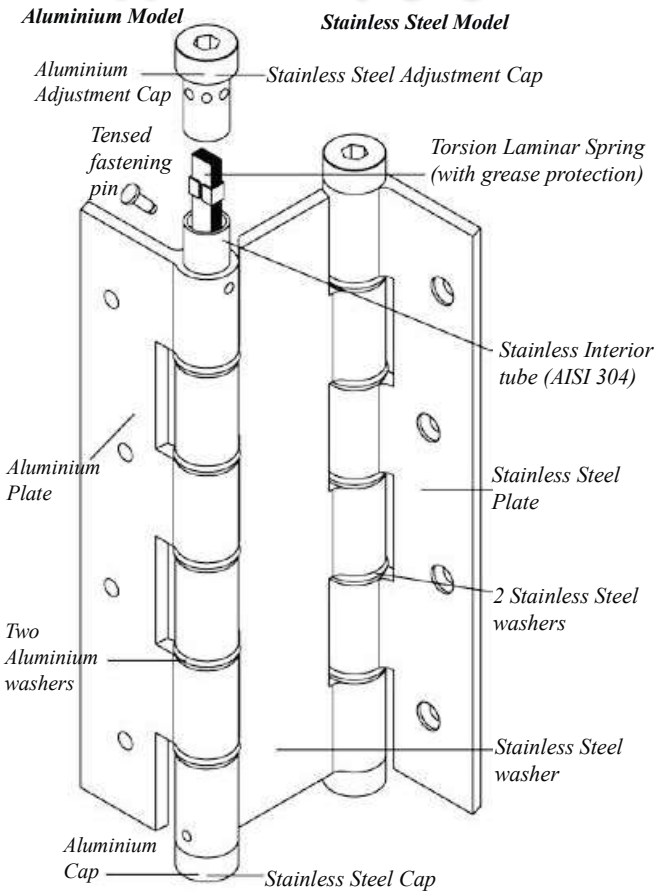
The ST150 is designed to bring a normal open door that can weigh up to 60Kg back to a closed position without assistance and without the need for a traditional door closer. Aesthetically pleasing to the eye, highly cost effective and totally adjustable, it is an ideal alternative to traditional and unsightly door closers.

Due to its smart construction, it is a small diameter hinge that does not require periodic greasing. It comes with a 2 year guarantee and is made in Spain by Justor.

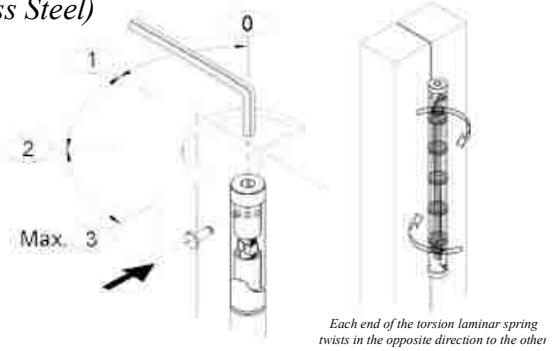
The ST150 ... the smart choice

Spring Hinge DA180 - Technical Data DA180, DA180A, DA180E & DA180SS (304 Stainless Steel)

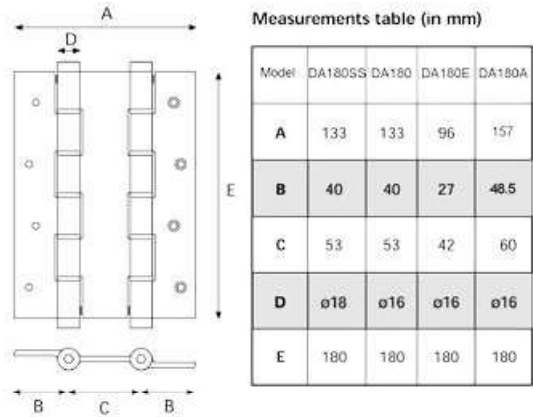
Anatomy of a Double Action Spring Hinge:



DA180 Adjustment Instructions:



Dimensional Information:



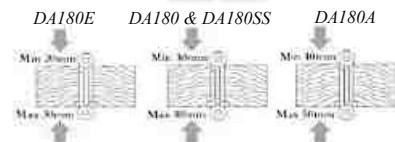
Leaf Thickness: SAA = 4mm, SS = 3mm

DA180 Range Quick Facts:

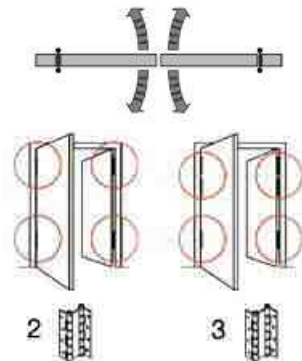
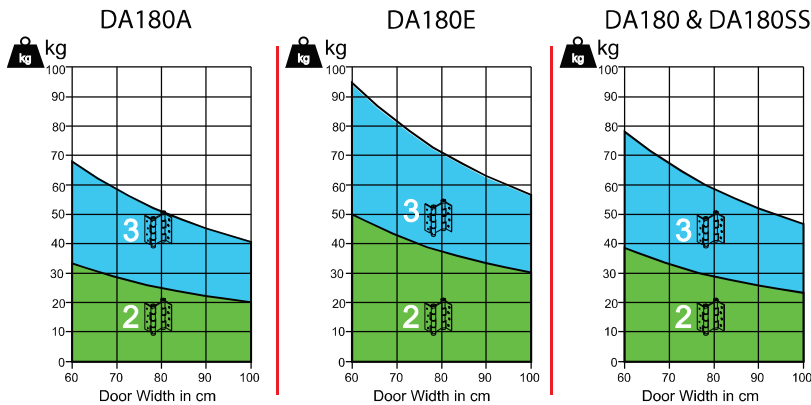
The DA180, the smart choice

No need for unsightly door closers or expensive pivot kits. Due to its smart construction it is a small diameter hinge that is totally adjustable in both directions and comes with a 2 year guarantee. It can carry up to 95Kg in door weight.

Door Thickness: Timber Doors



Number of Hinges and Position



Spring Hinge DA180 - Functional Data DA180, DA180A, DA180E & DA180SS - 304 Stainless Steel

No need for unsightly door closers or expensive pivot kits, the DA180 (formally the DA59) Double Action Spring Hinge is sleek, stylish and simple. Made in Spain by Justor the DA180 is highly functional and totally adjustable, ideal for all doors that weigh up to 95Kg.

Simplistically the function of the DA180 double action spring hinge is to bring back to the centre position a door that swings open in both directions i.e. a kitchen door in a restaurant.

Made out of Aluminium or Stainless Steel the DA180 Double Action Spring Hinge is ideal for internal or external applications, wherever a dual swing door (a door that swings in both directions such as a pivot door does) needs to return to a centre position without assistance.

Once installed the DA180 spring hinge can be adjusted to bring the door back quickly or slowly in either direction. The DA180 can also be adjusted to bring the door back quickly in one direction and slowly in the other direction.

Alternatively, by reversing the tension on the DA180, the spring can be set to bring the door back to the centre position from one direction but assist in opening the door in the other direction. The DA180 has multiple tension settings and adjustments can be made without having to take the door off.

An added advantage of the DA180 is its appearance; aesthetically pleasing to the eye, it is sleek and has clean lines. Cost effective and highly functional, it is a real and effective alternative to traditional and unsightly double action closers and expensive pivot sets. Its guaranteed for 2 years and available in a range of finishes; the Justor DA180 is hard to overlook.

The DA180 represents a smarter option when it comes to design and aesthetics.



Profile:

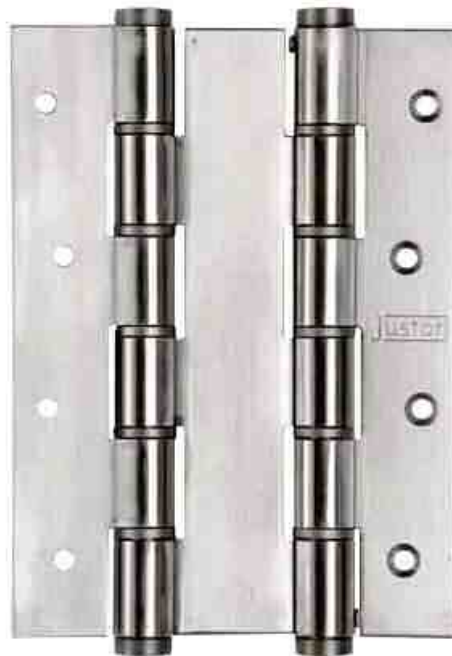


DA180 Range Quick Facts:

- Stainless Steel AISI 304 or Aluminium
- Automatically Returns Swing Doors to Centre Position
- Resistant to extreme Climatic Conditions (Cold and Humidity)
- Maximum resistance to bending
- Torsion Spring not a Coil Spring
- Up to 95Kg in Door Weight Per Door
- Variable Door Movement Strength
- Highly Efficient 180° Working Aperture
- Solid and Stylish Design
- For Wood or Aluminium Doors
- Ideal for Restaurants and Kitchens
- Max Door Thickness 50mm (DA180A)
- Max Door Thickness 40mm (DA180 & DA180SS)
- Max Door Thickness 30mm (DA180E)
- Quick & Simple Installation
- No Periodical Greasing Required
- Detailed Instructions Included
- Available in Satin Stainless Steel, & Silver (Bronze & Gold by Request)
- 2 Year Manufacturer's Guarantee

Order Codes:

- BIDA180AAS - SAA Silver (Max 50mm)
 - BIDA180SS - Stainless Steel (Max 40mm)
 - BIDA180AS - SAA Silver (Max 40mm)
 - BIDA180AB - SAA Bronze (Max 40mm)
 - BIDA180AG - SAA Gold (Max 40mm) by request
 - BIDA180EAS - SAA Silver (Max 30mm)
 - BIDA180EAB - SAA Bronze (Max 30mm)
- Note: Bronze & Gold Finishes by request only.



DA180 Range Quick Facts:

- Where DA180 is being used
 - Residential Environments
 - Apartments Buildings
 - Hotels of All Sizes
 - Commercial Environments
 - Industrial Estates
 - Hospitals
 - Restaurant Kitchens
- Function
 - Front Doors
 - WC Entry Doors
 - Kitchen Doors
 - Gates
 - Office Doors
 - Galleys on Boats
 - Perimeter Doors

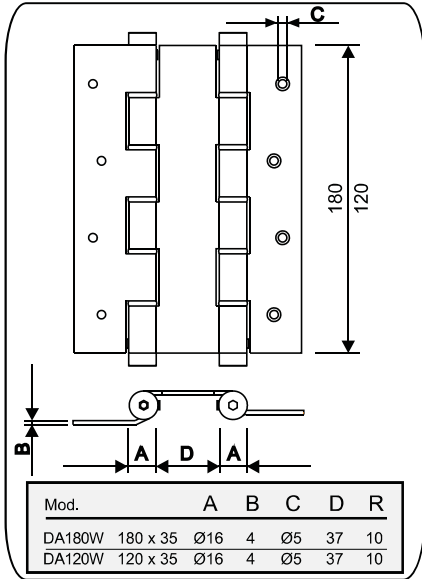
Please Note: The DA59 has been re-named the DA180.

Spring Hinge DA120W & DA180W - Technical Data

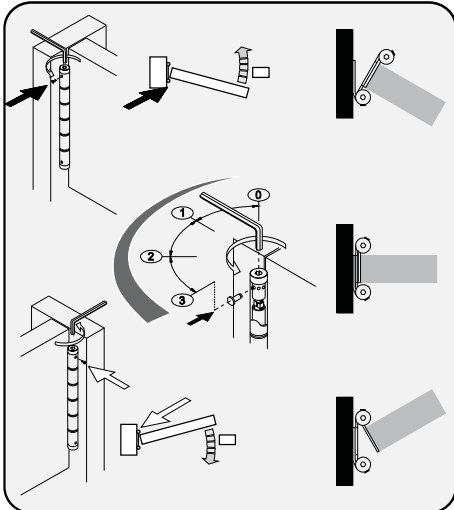
DA120W & 180WAS - Aluminium

New Wall Mounted Double Action Spring Hinge

Dimensions of the DA120 & 180W

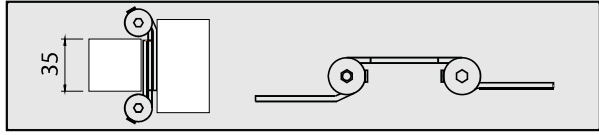


Adjustment of the DA120 & 180W:



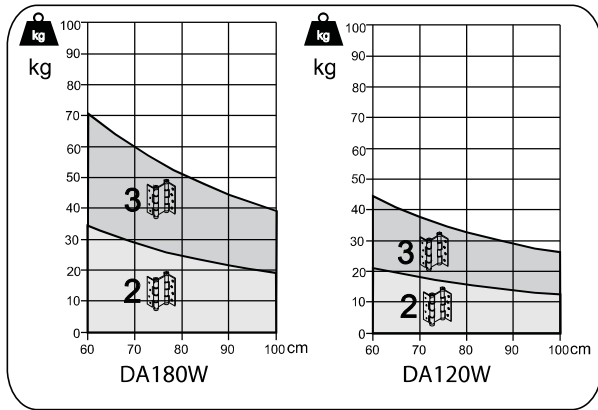
Multiple adjustment points for increasing or decreasing the spring's tension. Simple function, pull pin, turn head with allen key and replace pin. No need to remove door.

DA120 & 180W Door Thickness & Design:



The DA120 & 180W Justor spring hinge is suitable for doors from 25 to 35mm thick. As indicated in the above drawing, the hinge has a flat back which sits behind the hinges two knuckles allowing it to be fixed to any flat surface.

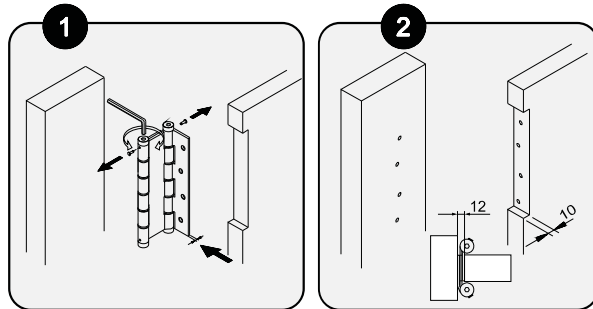
Number of hinges required per door:



Based on a sliding scale, typical number of hinges per door starts at 2 increasing to 3 based on the graph above. For doors that require 3 hinges, please fit the 1st hinge at top, the 2nd placed 5cm below 1st hinge and the 3rd hinge at bottom.

Installation of the DA120 & 180W:

Designed for double action swing doors where the hinge needs to mount on a flat surface such as a wall or doorway where there is no jamb. No need to build out the wall or jamb to cater for swing clearance.



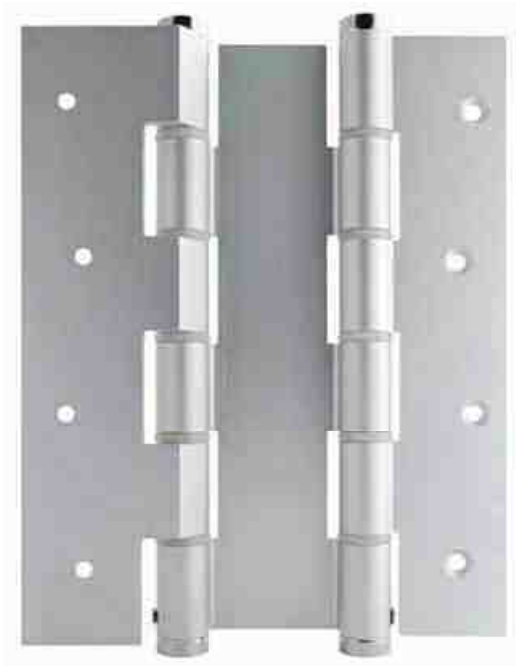
Easy 2 step installation process. Step 1, cut rebate into door, insert allen key into head remove pin, turn to release tension, reinsert pin. Step 2, screw hinge to door & wall jam, re-adjust tension. Easy. You're done.

NEW

Spring Hinge DA120W & 180W - Functional Data

Wall Mounted - No Jamb required

Double Action Spring Hinge



Unlike traditional double action hinges which require a jamb to mount onto, the new DA120W & 180W does not. Due to its revolutionary design, the new "DA120W & 180W" Double Action Spring Hinge from Justor of Spain now **mounts directly to a flat surface**.

No need to build out the wall or the jamb to cater for the knuckles of the hinge. Screw straight onto the wall. Simple, clean and easy....

What makes the DA120W & 180W totally unique is its revolutionary design. Specifically engineered to cater for doors where the traditional jamb for the hinge to be mounted to does not exist.

With this fact in mind, the DA120W & 180W opens up endless possibilities to where you can hang a door and how the door and wall can be designed with aesthetics of the environment in mind.

Ideal for internal or external applications, wherever a dual swing door (a door that swings in both directions such as a pivot door does) needs to return to a centre position without assistance.

Designed to automatically close doors with a subtle visual appearance. Its sleek, stylish and simple design makes it ideal for all environments. Made in Spain by Justor, the DA120W & 180W are highly functional and totally adjustable to bring the door back quickly or slowly..

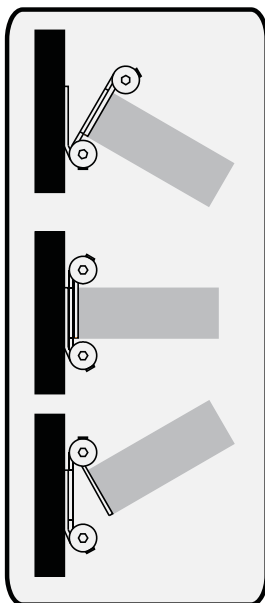
The Justor DA120W & 180W has multiple tension settings for detailed control of door closure speed and adjustments can be made without having to take the door down.

Guaranteed for 2 years and stocked locally in large quantities by Bellevue in Melbourne; the Justor DA120W & 180W is hard to overlook.

Reliability:

The Justor range of single and double action spring hinges have been fully tested and are certified to over 500,000 cycles of use and comes with a 2 year guarantee. *Justor by Bellevue: total reliability.*

Wall Mounted - No Jamb



DA 120W & 180W Range Quick Facts:

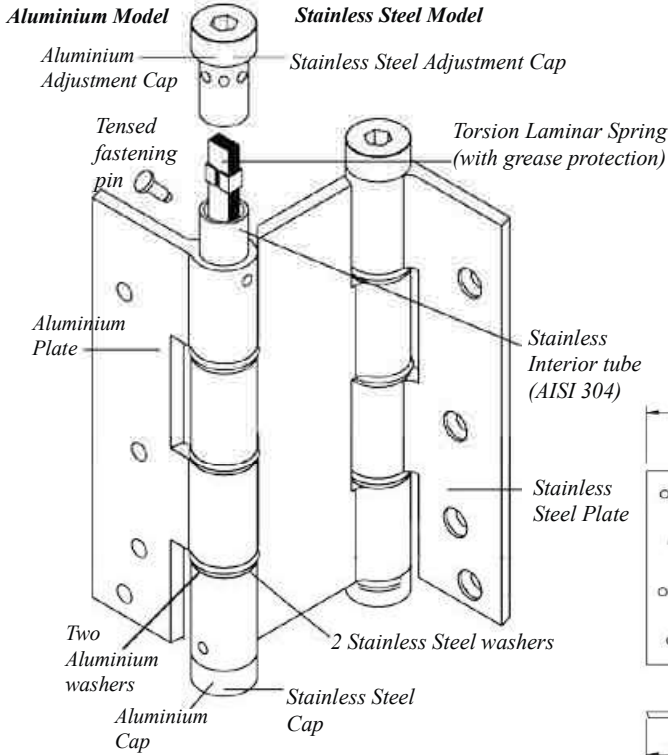
- Automatically Closes Door
- Stainless Steel AISI 304 spring blades
- Resistant to extreme Climatic Conditions (Cold and Humidity)
- Maximum resistance to bending
- Torsion Spring not a Coil Spring
- Variable Closing Strength (speed)
- Highly Efficient 180° Working Aperture
- Solid and Stylish Design
- For Wood or Aluminium Doors
- Slim Profile vs. Bulky Door Closer
- Quick & Simple Installation
- No Periodic Greasing Required
- Manufactured in Spain and comes with a 2 Year Manufacturer's Guarantee

Order Codes:

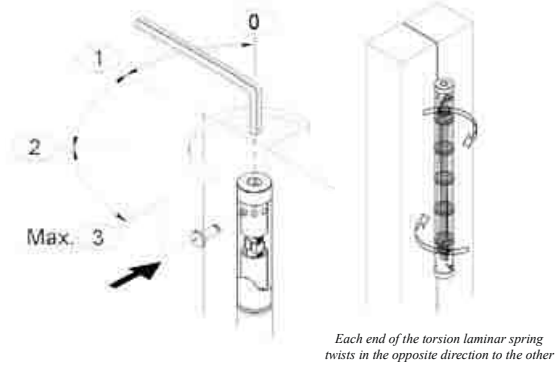
- BIDA180WAS - SAA Silver (Max. 35mm door)
- BIDA120WAS - SAA Silver (Max. 35mm door)

Spring Hinge DA120 - Technical Data DA120, DA120E & DA120SS (304 Stainless Steel)

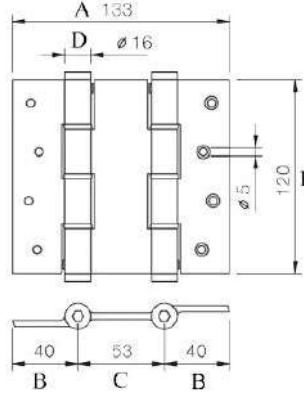
Anatomy of a Small Double Action Spring Hinge:



DA120 Adjustment Instructions:



Dimensional Information:



Measurements Table (in mm)

Model	DA120	DA120E	DA120SS
A	133	101	133
B	40	29.5	40
C	53	42	53
D	ø16	ø16	ø17
E	120	120	120

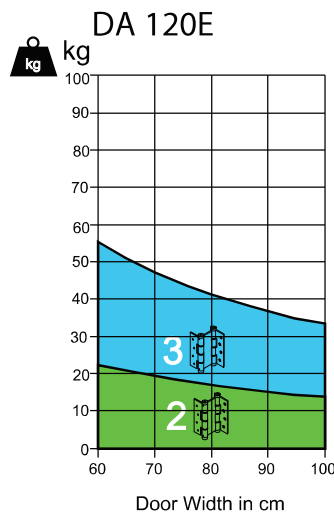
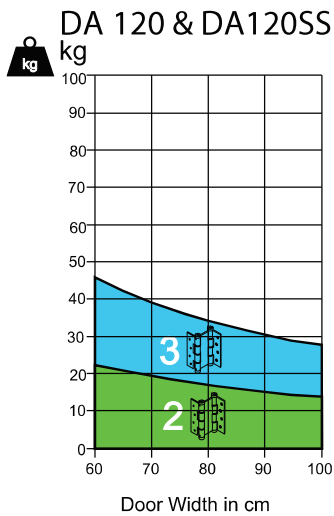
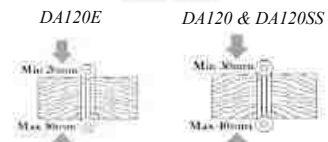
Leaf Thickness: SAA = 4mm, SS = 2.5mm

DA120 Range Quick Facts:

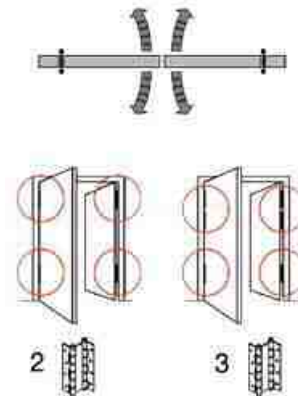
No need for unsightly door closers or expensive pivot kits. Due to its smart construction it is a small diameter hinge that is totally adjustable in both directions and comes with a 2 year guarantee. It can carry up to 55Kg in door weight.

The DA120, the smart choice

Door Thickness: Timber Doors



Number of Hinges and Position



Spring Hinge DA120 - Functional Data DA120, DA120E & DA120SS (304 Stainless Steel)

No need for unsightly door closers or expensive pivot kits, the DA120 Double Action Spring Hinge is sleek, stylish and simple.

Made in Spain by Justor the DA120 is highly functional and totally adjustable, ideal for all light weight or small doors that weigh up to 55Kg.

The DA120 double action spring hinge is to bring back to the centre position a door that swings open in both directions i.e. a kitchen door in a restaurant.

The DA120 Double Action Spring Hinge is an extension of the enormously popular larger DA180 Double Action Spring Hinge. It's the same in all respects, just smaller. It's been designed to provide the same functionality as the DA180 but on lighter weight doors.

The DA120 is ideal for internal or external applications, wherever a dual swing door needs to return to a centre position without assistance. Once installed the DA120 spring hinge can be adjusted to bring the door back quickly or slowly in either direction.

The DA120 has multiple tension settings and adjustments can be made without having to take the door off.

An added advantage of the DA120 is its appearance; it is sleek and has clean lines. The DA120 represents a smarter option when it comes to design and aesthetics. It also is significantly cheaper than some traditional options. Guaranteed for 2 years and available in a ranges of finishes; the Justor DA120 is hard to overlook.



The Justor DA120 a smaller smarter choice.

DA120 Range Quick Facts:

- Stainless Steel AISI 304 or Aluminium
- Automatically Returns Swing Doors to Centre Position
- Resistant to extreme Climatic Conditions (Cold and Humidity)
- Maximum resistance to bending
- Torsion Spring not a Coil Spring
- Up to 55Kg in Door Weight Per Door
- Variable Door Movement Strength
- Highly Efficient 180° Working Aperture
- Solid and Stylish Design
- For Wood or Aluminium Doors
- Ideal for Restaurants and Kitchens
- Min 20mm Max 30mm Timber (DA120E)
- Min 30mm Max 40mm Timber (DA120)
- Quick & Simple Installation
- No Periodical Greasing Required
- Detailed Instructions Included
- Finish: Stainless Steel, Silver, Gold or Bronze
- 2 Year Manufacturer's Guarantee

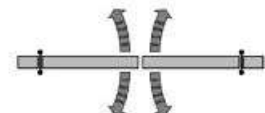
Order Codes:

- BIDA120SS - Stainless Steel
- BIDA120AS - SAA Silver
- BIDA120AB - Anodized Bronze
- BIDA120AG - Anodized Gold by Request
- BIDA120EAS - Narrow SAA Silver
- BIDA120EAB - Narrow Bronze

Note: Bronze & Gold Finishes by request only.

DA120 Range Quick Facts:

- Where DA120 have be used
 - Residential Environments
 - Apartment Buildings
 - Hotels of All Sizes
 - Commercial Environments
 - Industrial Environments
 - Hospitals
 - Restaurant Kitchens
- Function
 - Front Doors
 - WC Entry Doors
 - Kitchen Doors
 - Gates
 - Office Doors
 - Galleys on Boats
 - Shop Fronts
 - Perimeter Doors



Spring Hinge BIMP - Functional Data

The Justor Spring hinge MP is ideal for all light weight doors that need to be returned to a closed position without assistance. The spring hinge MP is ideal for light weight doors and existing non sprung doors where hinges currently exist .

Ideal for fly wire doors and all other light weight doors. Designed with retrofitting in mind, installation of the spring hinge MP is quick neat and simple. It conveniently can be installed without having to dismantle the door.

Made by Justor of Spain, its unique design means no maintenance is required or any adjustments over time. Guaranteed for 2 years, the spring hinge MP is a smart choice.

The spring hinge MP provides the flexibility to change an existing non-sprung door into a full time automatic closing door. The BIMP can be applied to most light doors in any location imagined.

Stocked in Bellevue Imports warehouse in large quantities the BIMP is readily available in two SAA finishes. It is aesthetically pleasing to the eye, cost effective and highly functional. It is the only solution to consider for today's light weight door spring hinge needs.

BIMP Quick Facts:

The BIMP does not require periodical greasing and works on a 180° Aperture. Due to its compact construction it is a small diameter hinge. It has 4 adjustment points and because it is made by Justor in Spain, it comes with a 2 year guarantee.

The BIMP, the smart choice for light weight doors

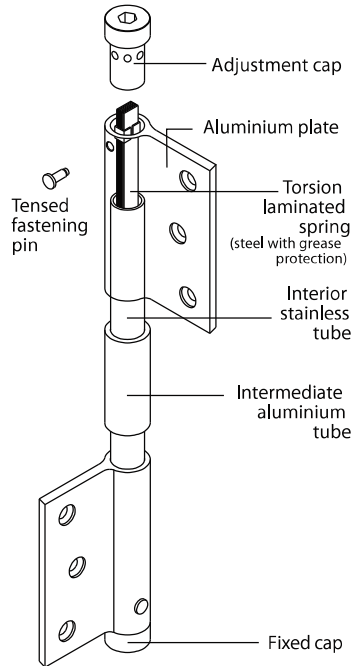
Profile:



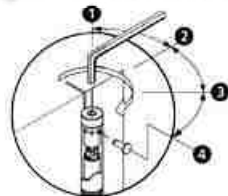
BIMP Quick Facts:

- Automatically Closes Door
- For Light Doors up to 40kg
- Torsion Spring not a Coil Spring
- Variable Closing Strength
- Highly Efficient 180° Working Aperture
- Solid and Stylish Design
- For Wood or Aluminium Doors
- Slim Stylish Profile
- Quick & Simple Installation
- No Periodical Greasing Required
- Detailed Instructions Included
- Available in Silver or Bronze
- 2 Year Guarantee

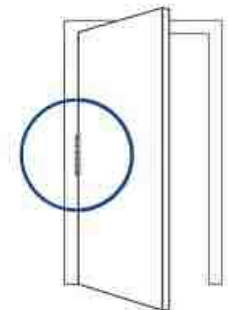
Anatomy of a Hinge:



Adjustment Instructions:



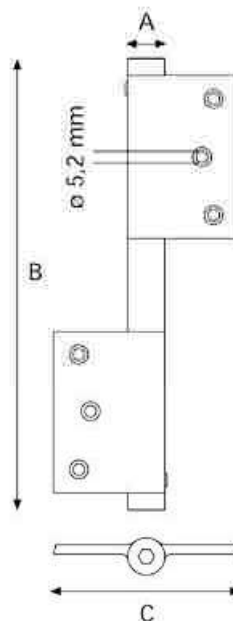
Installation



Install the spring hinge in the centre of the door between the two normal hinges.

Spring Hinge MP - Technical Data

Dimensional Information:



Measurements table (in mm)

Model	MP
A	$\varnothing 16$
B	180
C	80

Order Codes:

- BIMPS - SAA Silver
- BIMPB - SAA Bronze by Request

Please Note: The 57 has been re-named the MP.

Style, Functionality & Practicality for Over 25 Years

New MZ Fly Screen Spring Hinge



Spring Hinge BIMZ - Functional Data

The new Justor MZ for fly screen type doors at or around 5Kg is now here. Ideal for all light weight doors including fly screens that need to be returned to a closed position without assistance. The Spring hinge MZ is ideal for timber or aluminium doors.

Installation of the spring hinge MZ is quick, neat and simple with built-in multiple adjustments for multiple tension settings allowing the door to come back quickly or slowly. No need for the unsightly door closer.

Available in Silver, Black or White, the new MZ spring hinge is ideal to use as it will not loose its tension due to the torsion spring internally.

Made by Justor of Spain, its unique design means no maintenance is required or any adjustments over time. Guaranteed for 2 years, the spring hinge MZ is a smart choice.

Stocked in Bellevue Imports warehouse in large quantities the BIMZ is readily available in three SAA finishes. It is aesthetically pleasing to the eye, cost effective and highly functional. It is the only solution to consider for today's lightweight door spring hinge needs.

No unsightly door closer, Justor the smart way to go....

BIMQuick Facts:

- Automatically Closes Door
- For Light Doors up to 5kg
- Torsion Spring not a Coil Spring
- Variable Closing Strength
- Highly Efficient 180° Working Aperture
- Solid and Stylish Design
- For Wood or Aluminium Doors
- Slim Stylish Profile
- Quick & Simple Installation
- No Periodical Greasing Required
- Detailed Instructions Included
- 2 Year Guarantee

Order Codes:

- BIMZS - SAA Silver
- BIMZB - SAA Black by Request
- BIMZW - SAA White by Request

Spring Hinge MZ - Technical Data

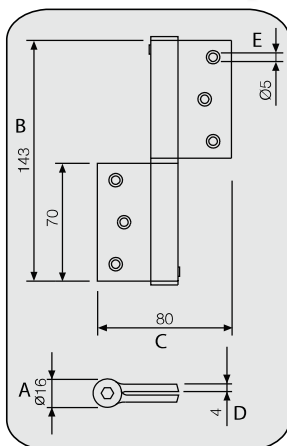
BIMZ Quick Facts:

The BIMZ does not require periodical greasing and works on a 180° Aperture. Due to its compact construction it is a small diameter hinge. It has 2 adjustment points and because it is made by Justor in Spain, it comes with a 2 year guarantee.

The BIMZ, the smart choice for Fly screen doors



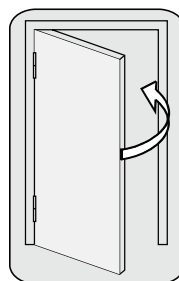
Dimensional Information:



Model	MZ
A	ø16
B	143
C	80
D	4
E	ø5

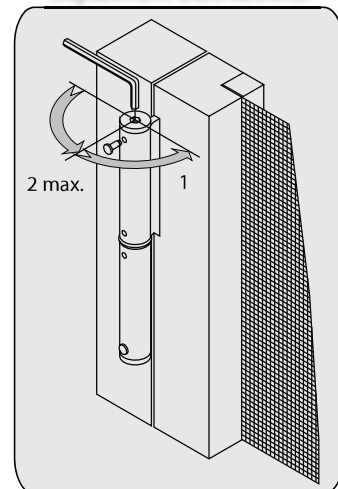
Measurements Table (in mm)

Installation



Install the spring hinges at the top and bottom of the door. Used in place of normal hinges.

Adjustment Instructions:



Justor by Bellevue - Smart Architectural Products

Justor PG Welding Spring Hinge Range

For Welding onto Steel Jambs and Frames

Bellevue' is proud to introduce the new Justor spring hinge range of welding hinges designed to automatically close light to heavy steel framed doors and metal gates that weigh up to **120 Kg**. The Justor PG120, PG180, PG240 and PP (push flap) welding spring hinges are sleek, stylish and simple. Made in Spain by Justor to exacting European standards; these new models are fully adjustable torsion based spring hinges.

Made of Steel, the PG range is maintenance free. Due to its unique construction, it's fully adjustable while the door is still hanging and does not require periodic greasing. The PG range can be used on internal or external steel or metal-framed door jambs, and doors whenever a door needs to close without assistance. Made in Spain By Justor; the PG range of welding hinges represent quality and innovation not normally seen in a product of this type. Optionally, the PG range can be powder coated. Once done, it blends into any environment and surroundings.

Cost effective and highly functional, it is a real and effective alternative to traditional and unsightly door closers and closing solutions.

It's guaranteed for 2 years; the Justor PG and PP range is hard to overlook.

New PG & PP Welding Hinge Range

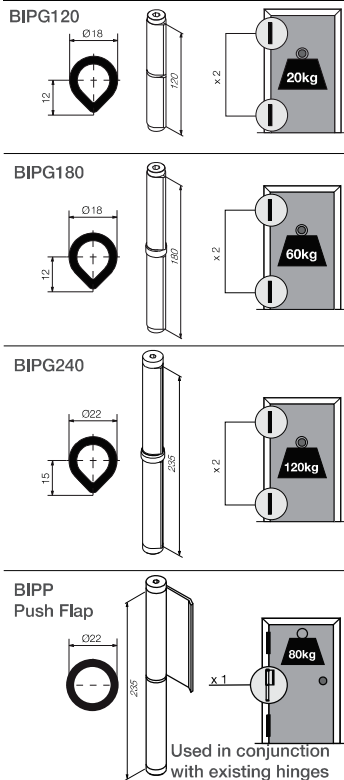
PG & PP Range - Technical Data

For Welding

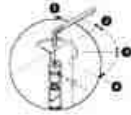
PG Quick Facts:

- Automatically Closes Door
- Up to 120Kg in Door Weight
- Torsion Spring not a Coil Spring
- Variable Closing Strength
- Highly Efficient 180° Working Aperture
- Solid and Stylish Design
- For Metal doors and frame
- No Periodical Greasing Required
- Detailed Instructions Included
- Available in Gun Metal
- Slim Profile
- 2 Year Guarantee

Dimensional & Weight Info:

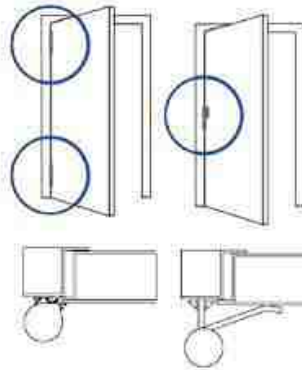


Adjustment Instructions:



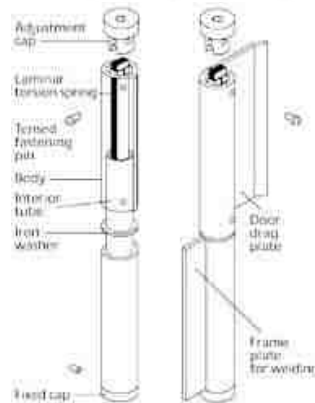
Four Adjustment Points

Fitting Profile:



PG Range PP Hinge

Anatomy of a Spring Hinge:



PG Range PP Hinge

Quick Facts:

The PG & PP welding hinge range does not require periodical greasing. Due to its construction it is a small diameter hinge. It is totally adjustable in both directions and comes with a 2 year guarantee. It can carry up to 120Kg in door weight.

The PG and PP are the smart choices for gates

PG Range

PP Hinge



Order Codes:

- BIPG120 - Gun Metal - 20Kg
 - BIPG180 - Gun Metal - 60Kg
 - BIPG240 - Gun Metal - 120 Kg
 - BIPP - Gun Metal - Push Flap - 80Kg
 - BI551G - Gun Metal - 300 Kg + (By Request Only)
- Finish: Gun Metal is a raw finish which can be powdercoated to specific colours.